

MODEL 4630 Accelerometer

MEMS Triaxial Accelerometer

DC Response

Accurate Temperature Compensation

Signal Conditioned Output

10,000g Over-Range Protection

DESCRIPTION

The **Model 4630** is a low noise triaxial accelerometer offering both static and dynamic response. The piezoresistive accelerometer incorporates integral temperature compensation that provides a stable output over a wide operating range. The three independent circuit assemblies are hermetically sealed and can operate on common or separate power supplies. The advanced MEMS sensing elements are gas damped in order to provide a wide stable frequency response.

FEATURES

- ◆ Low Noise
- ◆ Three Independent Circuits
- ◆ Lower Current Consumption
- ◆ Ranges: $\pm 2g$ to $\pm 500g$
- ◆ DC Response
- ◆ High Over-Range Protection
- ◆ Temperature Compensation
- ◆ Low Transverse Sensitivity

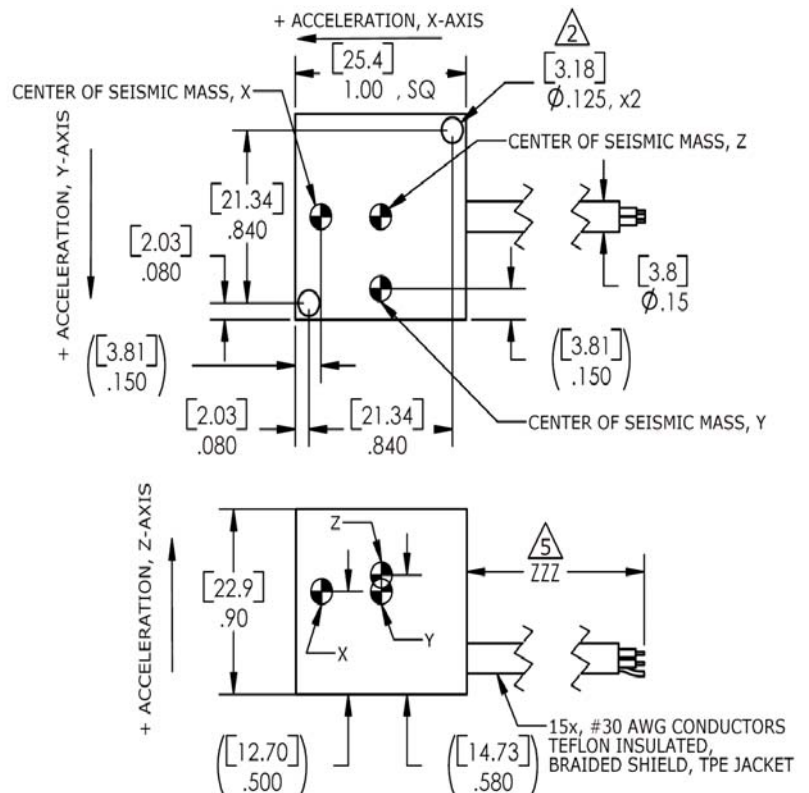
APPLICATIONS

- ◆ Transportation
- ◆ Vibration/Shock Monitoring
- ◆ Road Vehicle Testing
- ◆ Low Frequency Applications
- ◆ Modal Analyses

Vibration Sensors Technical Support:
Tel: 949-716-5377
Fax: 949-916-5677



dimensions



Model 4630 Accelerometer

performance specifications

All values are typical at 25°C, 100Hz and 12Vdc excitation unless otherwise stated.

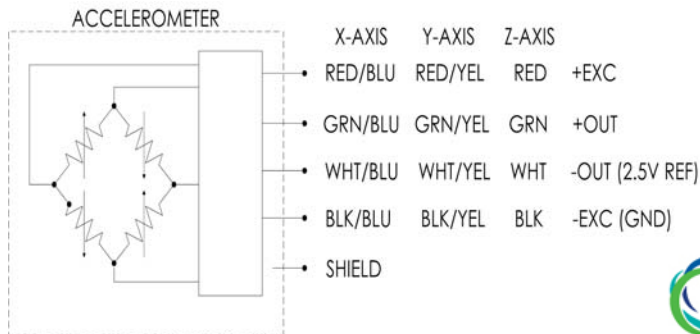
Measurement Specialties reserves the right to update and change these specifications without notice.

PARAMETERS

DYNAMIC						
Range	+/-2	+/-5	+/-10	+/-20	UNITS	NOTES
Sensitivity	1000	400	200	100	mV/g	
Frequency Response	0-250	0-300	0-400	0-700	Hz	+/- 5%
Residual Noise	650	400	300	400	µV rms	
Range	+/-50	+/-100	+/-200	+/-500	UNITS	NOTES
Sensitivity	40	20	10	4	mV/g	
Frequency Response	0-1000	0-1500	0-1500	0-1500	Hz	+/- 5%
Residual Noise	500	500	500	500	µV rms	
Non-Linearity		+/-1			% FSO	Maximum
Transverse Sensitivity (Max)		+/-3			%	+/-1% Typical
Zero Acceleration Output		2.50+/-0.05			V	
Thermal Zero Shift (-20 to +80°C)		+/-0.019			% FSO/°C	Maximum
Thermal Sensitivity Shift (-20 to +80°C)		+/-0.019			%/°C	Maximum
ELECTRICAL						
Excitation Voltage		8 to 24			Vdc	
Excitation Current		5.0			mA	Typical
Reference Voltage		2.5			Vdc	
Output Impedance		100			Ω	Maximum
Insulation Resistance (@ 50Vdc)		100			MΩ	Minimum
Ground Isolation		Isolated				
PHYSICAL						
Housing		Aluminum				Hard Anodized
Weight (cable not included)		20			grams	Maximum
Mounting		2x #4 or 2x M3 Screws				6 lb-in torque
ENVIRONMENTAL						
Shock Limit		10,000			g's	
Operating Temperature		-40 to +155			°C	
Humidity		Sensor assembly hermetically sealed				

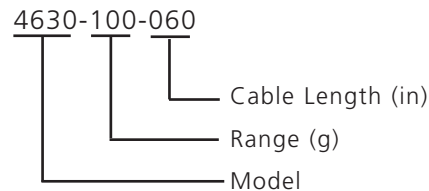
Contact factory for custom temperature compensation options

electrical schematic



Vibration Sensors Technical Support:
Tel: 949-716-5377
Fax: 949-916-5677

ordering information



北京赛斯维测控技术有限公司
北京市朝阳区望京西路48号
金隅国际C座1002
电话：+86 010 8477 5646
传真：+86 010 5894 9029
邮箱：sales@sensorway.cn
<http://www.sensorway.cn>

