

Model 8021-01 Accelerometer



EMI Shielded Industrial Accelerometer
15kHz Bandwidth
-55°C to +125°C Operating Range
Side Exit Connector



The **Model 8021-01** is an internally shielded rugged IEPE accelerometer designed for harsh environments. The accelerometer is available in ± 50 to $\pm 500g$ dynamic ranges and has a flat bandwidth up to greater than 15kHz. The model 8021-01 features a side exit MIL-C-5015 connector and is designed to operating in temperature ranges from -55°C to +125°C. The unit is hermetically sealed and features the popular through hole mount installation.

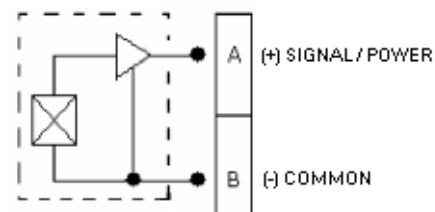
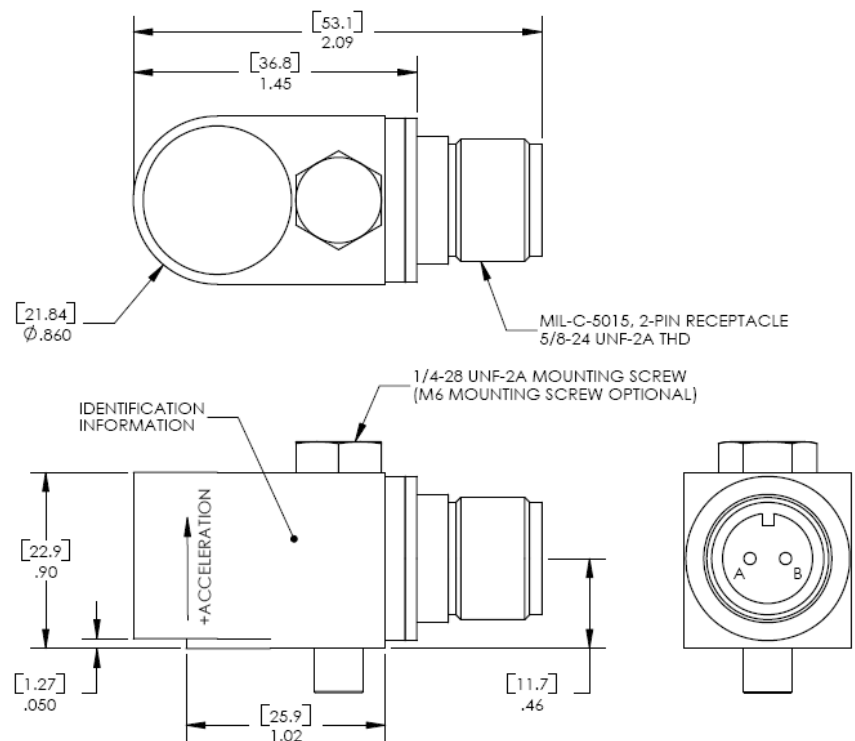
FEATURES

- $\pm 50g$ to $\pm 500g$ Dynamic Range
- Wide bandwidth up to 15kHz
- Case Isolated, Internally Shielded
- Hermetically Sealed, Welded
- Annular Shear Mode
- Reverse Wiring Protection
- Stable Temperature Response
- 2-Pin MIL-C-5015 Connector

APPLICATIONS

- General Purpose
- Machine Monitoring
- Industrial Applications
- Harsh Environments
- Gearbox Monitoring

dimensions



Model 8021-01 Accelerometer

performance specifications

All values are typical at +24°C, 100Hz and 4mA excitation unless otherwise stated. Measurement Specialties reserves the right to update and change these specifications without notice.

Parameters

DYNAMIC

			Notes
Range (g)	±50	±500	
Sensitivity (mV/g)	100	10	
Frequency Response (Hz)	1-5000	1-8000	±10%
Frequency Response (Hz)	0.5-10000	0.5-15000	±3dB
Natural Frequency (Hz)	32000	40000	
Non-Linearity (%FSO)	±1	±1	
Transverse Sensitivity (%)	<5	<5	
Shock Limit (g)	5000	5000	

ELECTRICAL

Compliance Voltage (Vdc)	18 to 30	18 to 30	
Excitation Current (mA)	2 to 10	2 to 10	
Bias Voltage (Vdc)	8 to 12	8 to 12	Room Temperature
Bias Voltage (Vdc)	6 to 14	6 to 14	-55 to +125°C
Output Impedance (Ω)	<100	<100	
Residual Noise (g RMS)	0.0001	0.00025	
Grounding	Case Isolated, Internally Shielded		

ENVIRONMENTAL

Temperature Response (%)	±5	±5
Operating Temperature (°C)	-55 to +125	
Storage Temperature (°C)	-55 to +125	

PHYSICAL

Sensing Element	Ceramic (shear mode)
Case Material	Stainless Steel
Weight (grams)	90
Mounting	Through Hole (1/4-28 or M6 cap screw)
Mounting Torque	24 lb-in (2.7 N-m)

Supplied accessories: 1x 1/4-28 Mounting Screw (1 1/8 inch length)
1x M6 Mounting Screw (30 mm length)

Optional accessories: 316-XXX Cable Assembly (XXX designates length in inches, 10ft standard)

The information in this sheet has been carefully reviewed and is believed to be accurate; however, no responsibility is assumed for inaccuracies. Furthermore, this information does not convey to the purchaser of such devices any license under the patent rights to the manufacturer. Measurement Specialties, Inc. reserves the right to make changes without further notice to any product herein. Measurement Specialties, Inc. makes no warranty, representation or guarantee regarding the suitability of its product for any particular purpose, nor does Measurement Specialties, Inc. assume any liability arising out of the application or use of any product or circuit and specifically disclaims any and all liability, including without limitation consequential or incidental damages. Typical parameters can and do vary in different applications. All operating parameters must be validated for each customer application by customer's technical experts. Measurement Specialties, Inc. does not convey any license under its patent rights nor the rights of others.

ordering info

PART NUMBERING Model Number+Range

8021-01-GGGG

|
| _____ Range (0050 is 50g)

Example: 8021-01-0050
Model 8021-01, 50g

中国

北京赛斯维测控技术有限公司
北京市朝阳区望京西路48号
金隅国际C座1002
电话：+86 010 8477 5646
传真：+86 010 5894 9029